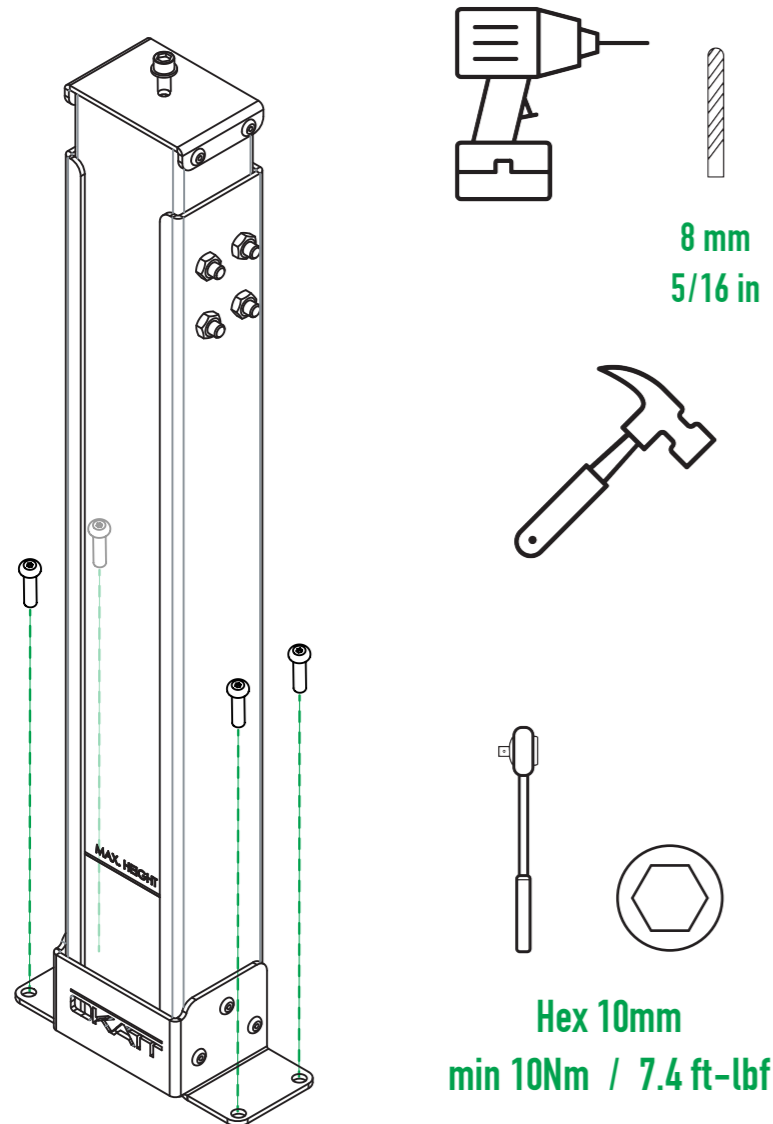
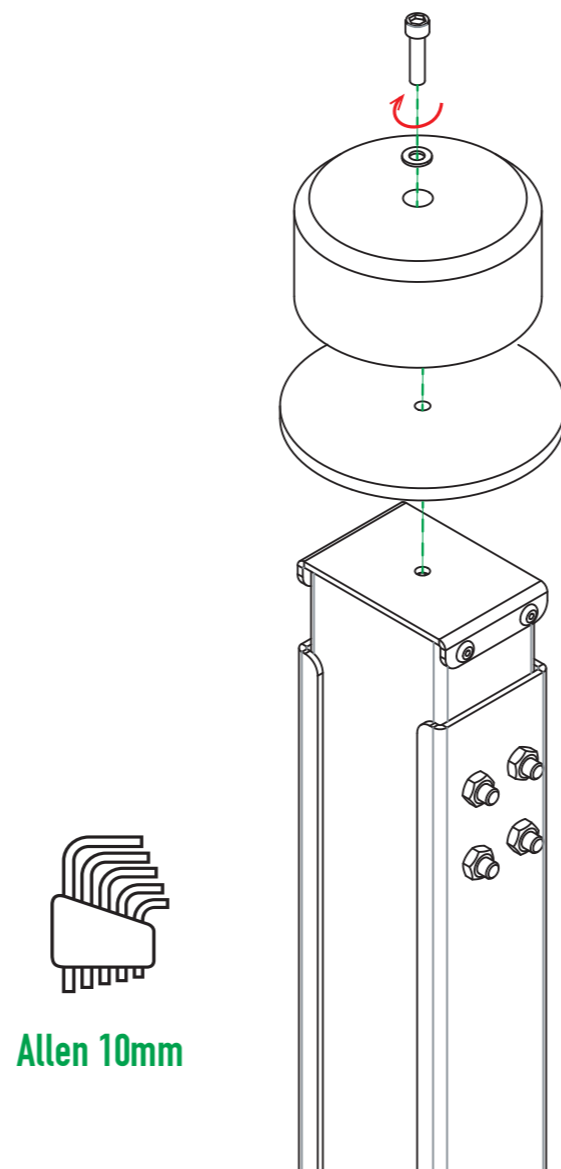


INSTALLATION PROCESS

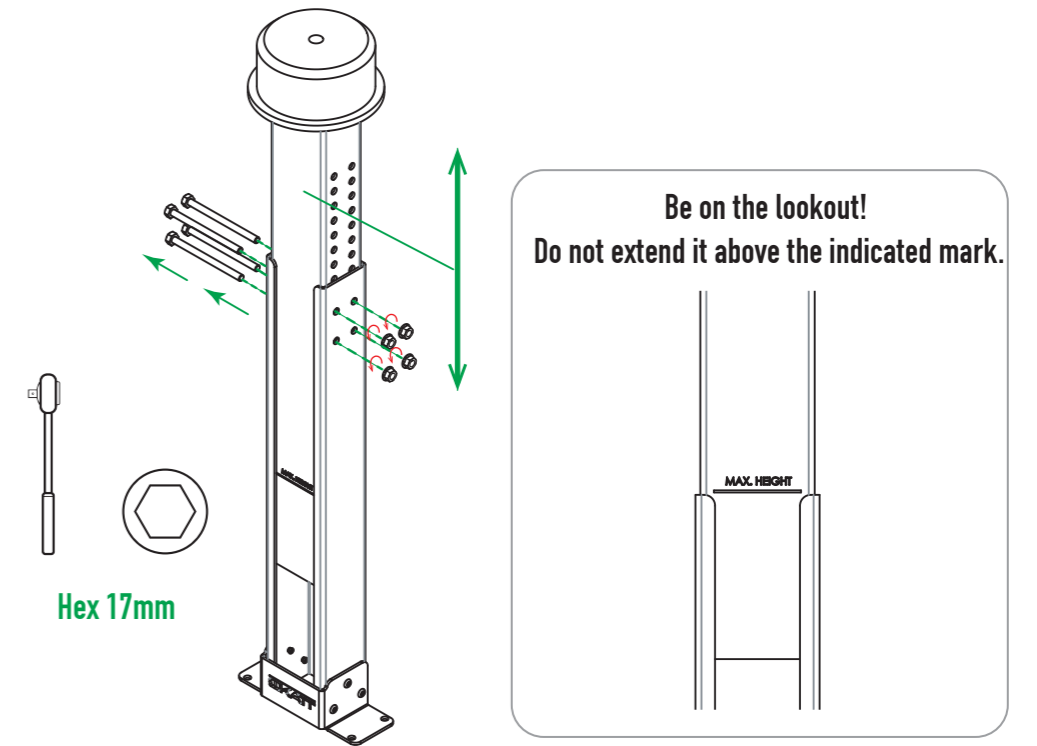
1 Fix the bottom part to the pit with the provided concrete bolts.



2 Fasten the buffer plate and the buffer.



3 Regulate it to the required height loosening the four nuts and bolts.



4 Insert again all four M10 nuts and bolts.

